

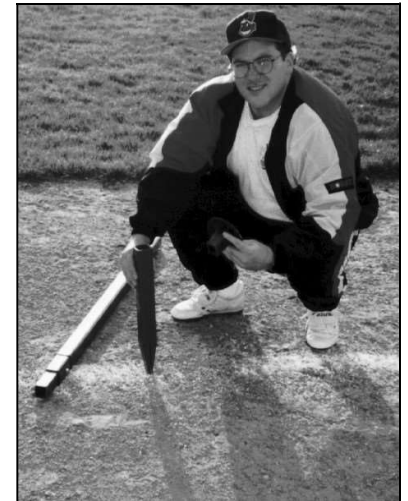
CH Base Anchor & Driver System

Installation Instructions

RMP Sports, Inc. CH Driver & Anchor Products

1818 Woodhaven Drive
Crystal Lake, IL 60014
815-477-1350

RMPsports@yahoo.com
www.chdriverandanchor.com



READ ME FIRST!

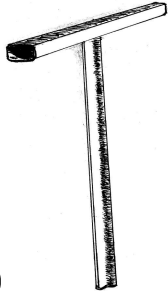
For Information & Orders
Rogers Base Company
(800) 829-7311

**Rogers Base
Company, LLC**

Other Uses
Volleyball Courts Flag Poles
Mailbox 4x4 Posts Foul Poles
Boundary Markers Fencing



CH Dig Out Tool



\$20

CH Foul Pole Set

To install CH Foul Poles you get
2 CH 1 1/2" inch Anchors and
2 CH Foul Poles 10ft long,
powder coated Red.
5ft CH extensions available.



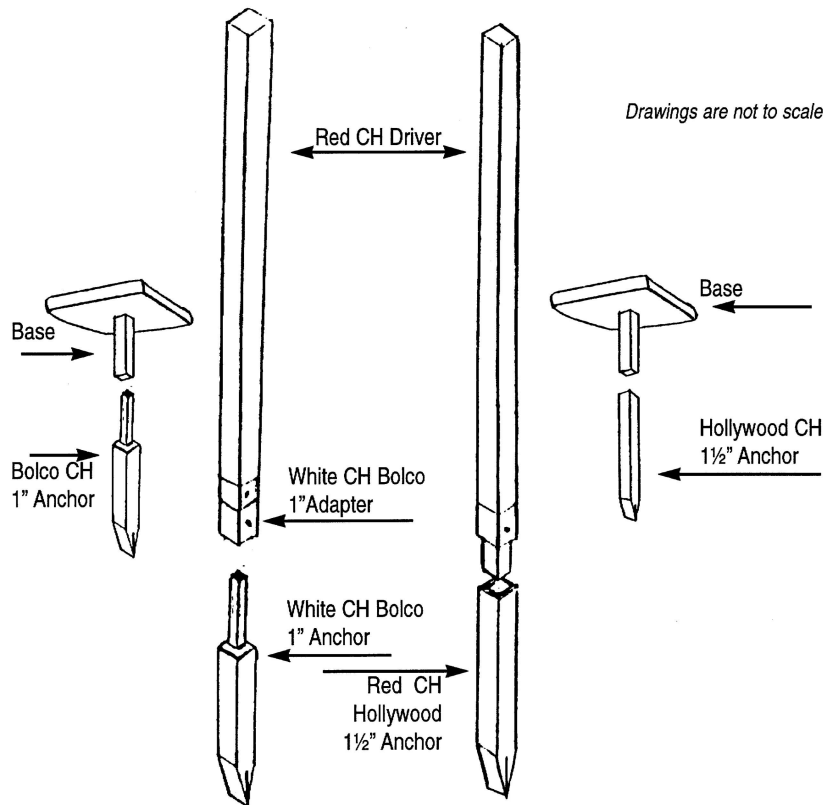
To order additional CH Drivers, Anchors and Dig out tool,
contact **Rogers Base Company** at **(800) 829-7311**.

For questions about installation and additional product
information, contact Robert Potthast at RMP Sports, Inc. at
(815) 477-1350 rmports@yahoo.com

Parts are supplied for 1 1/2" (red) or 1" (white) installations.

CH Bolco 1" Parts List
 CH Driver (2 parts - red)
 CH Bolco Anchor 1" (white)
 CH Bolco Adapter (white)

CH Hollywood 1 1/2" Parts List
 CH Driver (2 parts - red)
 CH Hollywood Anchor 1 1/2" (red)
 CH Bolco Adapter (white)



To avoid injury or product damage, Do Not Use this product in any other way unless it has been approved by the manufacturer.

CAUTION

Wear protective hearing and eye gear while using this device. Always contact all utility companies to locate any underground utilities before installation.

Refer to **Quick & Helpful Tip Sheet** for Assistance

To Install CH Hollywood (1 1/2") Anchor

1. Find the point where you want your base. Mark it.
2. Remove the CH (white) Adapter from the driver shaft if it is attached.
3. Slide the red CH 1 1/2" Anchor onto the end of the driver.
4. Begin to drive the red CH 1 1/2" Anchor into the ground with the driver. Check with a level to make sure that it is going in straight.
5. When the anchor is about 2" below the ground, put the base on.
6. Make sure base is square and level.

To Install CH Bolco (1") Anchor

Find the point where you want your base. Mark it.

1. Put the CH (white) Adapter at the base of the driver. Using the bolt and tap provided, fasten tightly.
2. Slide the white CH 1" Anchor onto the end of the driver.
3. Begin to drive the white CH 1" Anchor into the ground with the driver. *Check with a level to make sure that it is going in straight.*
4. When the anchor is about 2" below the ground, put the base on.
5. Make sure base is square and level.

To Move or Reposition CH Base Anchor

(Ideal for temporary fields & fields with multiple base lengths.)

1. Attach CH Driver to the CH anchor.
1. Push N S E & W (rock) to loosen.
2. Grab the CH anchor with pliers or hand and pull out of ground.
3. Fill hole with normal infield soil.
4. For best results, moisten soil and tamp down. (You can use the end of the driver to tamp.)
5. Make sure surface is level.
6. Proceed with instructions above.

To Replace Existing Concrete Anchors

1. Remove old concrete anchor.
2. Fill hole with normal infield soil, moisten and tamp.
3. For best results, let area settle thoroughly and add dirt as needed.
4. Make sure surface is level.
5. Proceed with instructions above for CH 1 1/2" or 1" Anchors.

